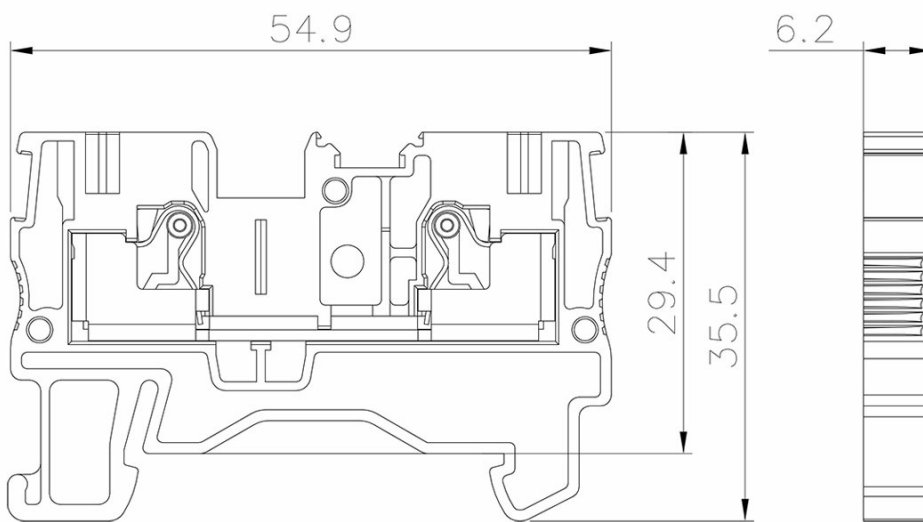


Type: Plug-terminal-plug

Product name: TP4-2-GY

Description: 6.2mm , 800V , 32ACE,UL

Product Picture



Basic Information

Type	GP4-2-GY
Width	6.2mm
Number of levels	1
Number of connections	2
Connection method	Plug-in terminal-plug
Protection Level	IP20

Work temperature	-40~+105°C
------------------	------------

IEC/IEC Data

Rated Current	32A
---------------	-----

Rated Voltage	800V
---------------	------

Overvoltage category	III
----------------------	-----

Pollution degree	3
------------------	---

Rated impulse voltage	8KV
-----------------------	-----

Conductor cross section solid	0.2-6mm ²
-------------------------------	----------------------

Conductor cross section flexible	0.2-4mm ²
----------------------------------	----------------------

Conductor cross section flexible,with ferrule	0.2-4mm ²
---	----------------------

Stripping length	10-12mm
------------------	---------

UL/UL Data

Use group	B	C	D
-----------	---	---	---

Rated Current	30A	30A	-
---------------	-----	-----	---

Rated Voltage	600V	600V	
---------------	------	------	--

Rated cross section	24-10AWG		
---------------------	----------	--	--

Material Data

Insulation material	PA66
---------------------	------

Insulation material group	I
---------------------------	---

Flame retardant grade, UL94 compliance	V0
--	----

Contact material	Copper alloy
------------------	--------------

Surface characteristics	Sn,Plated
-------------------------	-----------
