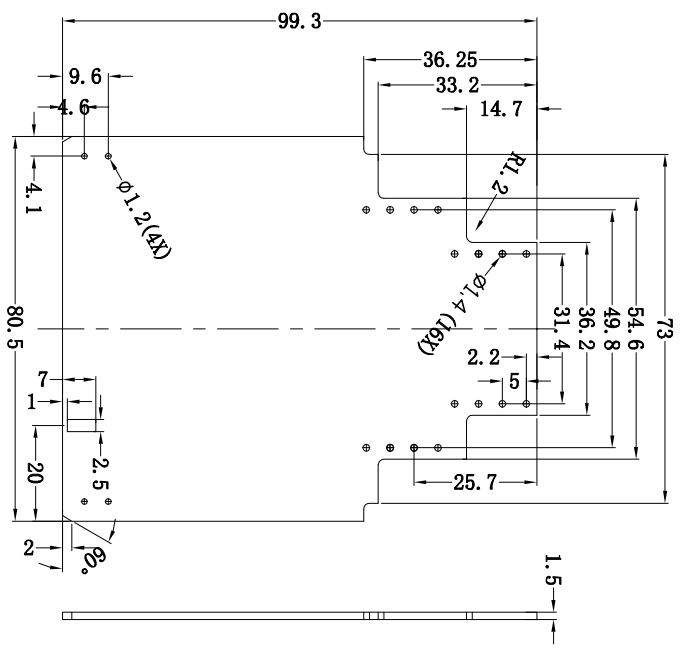
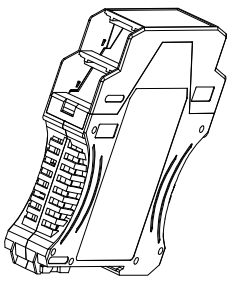
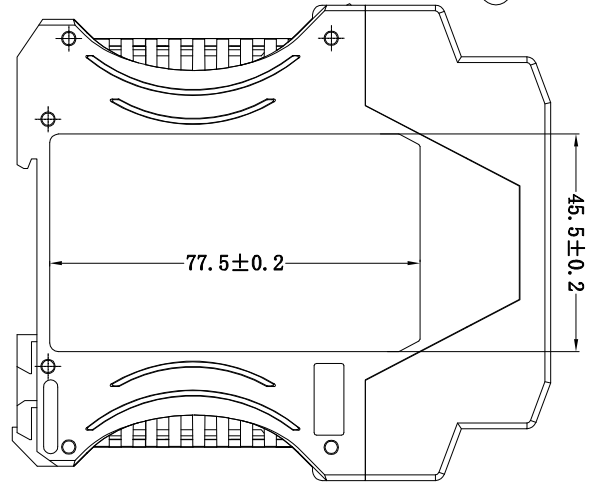
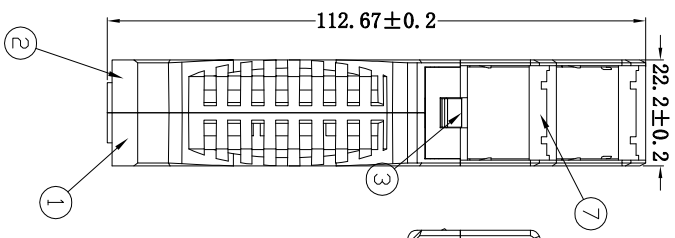
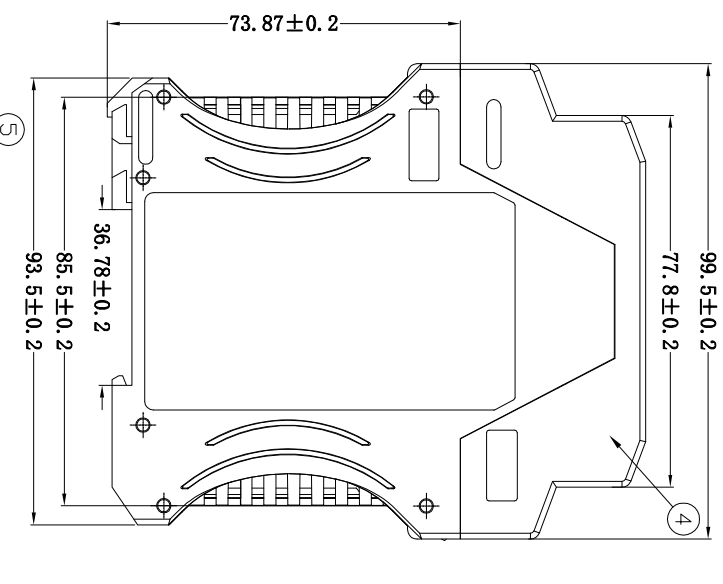
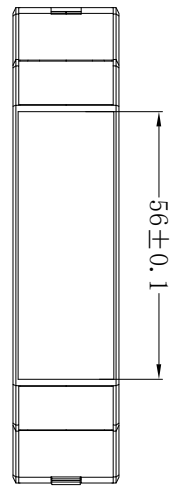


REV	CONTENT	CHK	DATE
V0.0	CONTENT	MYZ	22.10.12



Total Pitch Tolerances		Nominal dimension range	
In mm		In mm	
over	over	over	over
0	30	0	30
to	53	to	53
30	53	to	70
to	70	to	90
53	70	to	115
to	90	to	150
70	90	to	250
to	115	to	350
90	115	to	500
to	150	to	30
115	150	to	53
to	250	to	70
150	250	to	90
to	350	to	115
250	350	to	150
to	500	to	200
350	500	to	250
to	30	to	320
53	30	to	10
to	53	over	over
70	53	0	0
to	70	to	10
90	70	all	all
to	90	to	100
115	90	to	150
150	115	over	over
250	150	0	0
350	250	to	100
500	350	to	150
to	30	over	over
53	30	0	0
to	53	to	100
70	53	to	150
to	70	over	over
90	70	0	0
to	90	to	100
115	90	to	150
150	115	over	over
250	150	0	0
350	250	to	100
500	350	to	150
to	30	over	over
53	30	0	0
to	53	to	100
70	53	to	150
to	70	over	over
90	70	0	0
to	90	to	100
115	90	to	150
150	115	over	over
250	150	0	0
350	250	to	100
500	350	to	150
to	30	over	over
53	30	0	0
to	53	to	100
70	53	to	150
to	70	over	over
90	70	0	0
to	90	to	100
115	90	to	150
150	115	over	over
250	150	0	0
350	250	to	100
500	350	to	150
to	30	over	over
53	30	0	0
to	53	to	100
70	53	to	150
to	70	over	over
90	70	0	0
to	90	to	100
115	90	to	150
150	115	over	over
250	150	0	0
350	250	to	100
500	350	to	150
to	30	over	over
53	30	0	0
to	53	to	100
70	53	to	150
to	70	over	over
90	70	0	0
to	90	to	100
115	90	to	150
150	115	over	over
250	150	0	0
350	250	to	100
500	350	to	150

8	LABEL	XX	1	PVC	/	
7	TERMINAL-4P	XX	4	PA66 UL94V-0	/	
6	Czrd buckle	XX	1	STEEL		
5	SPRING	XX	1	SPRING STEEL		
4	COVER-TOP	XX	1	PA66 UL94V-0	/	
3	CLAMP	XX	2	PA66 UL94V-0	/	
2	HOUSING-RIGHT	XX	1	PA66 UL94V-0	/	
1	HOUSING-LEFT	XX	1	PA66 UL94V-0	/	
ITEM	NAME OF PART	Q'TY	MATERIAL			
DWG.	MYZ	DATE	22.10.12	SIZE	A4	
CHK		DATE		SCALE	1:1	
APP		DATE		NAME	SFME2250	
					DWGNO.	XXXXX

宁波三安电子科技有限公司

SFME2250