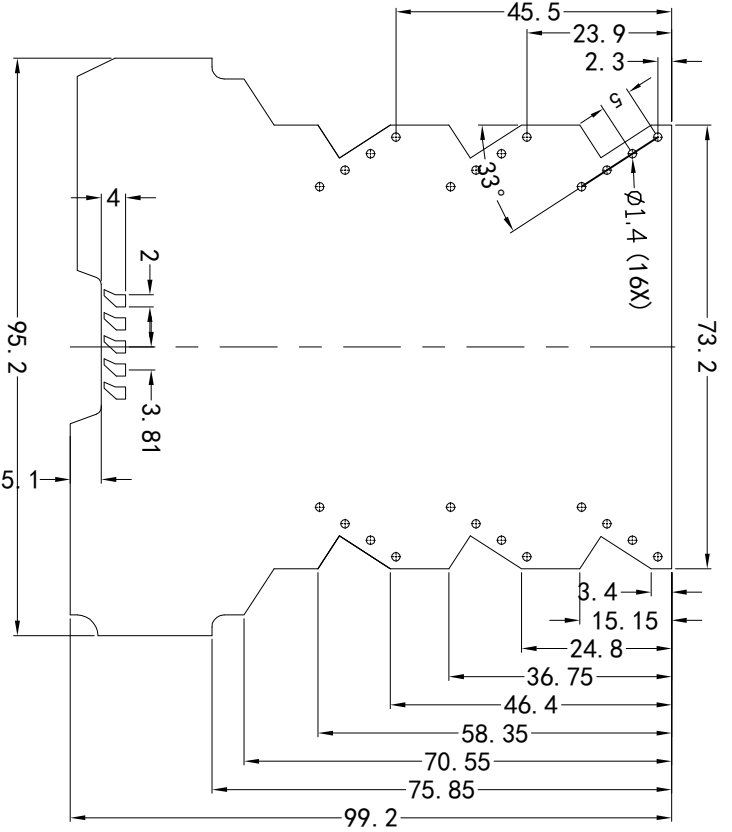
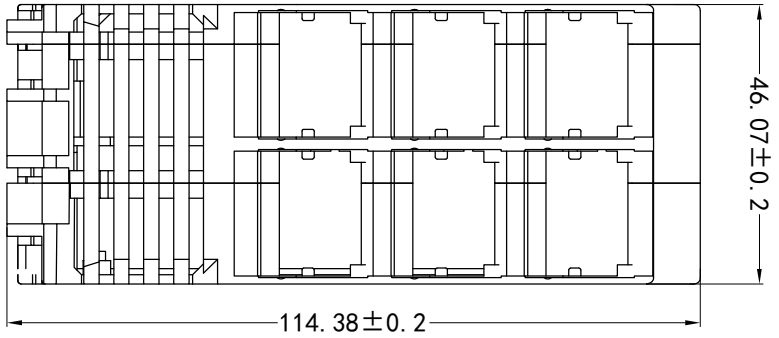
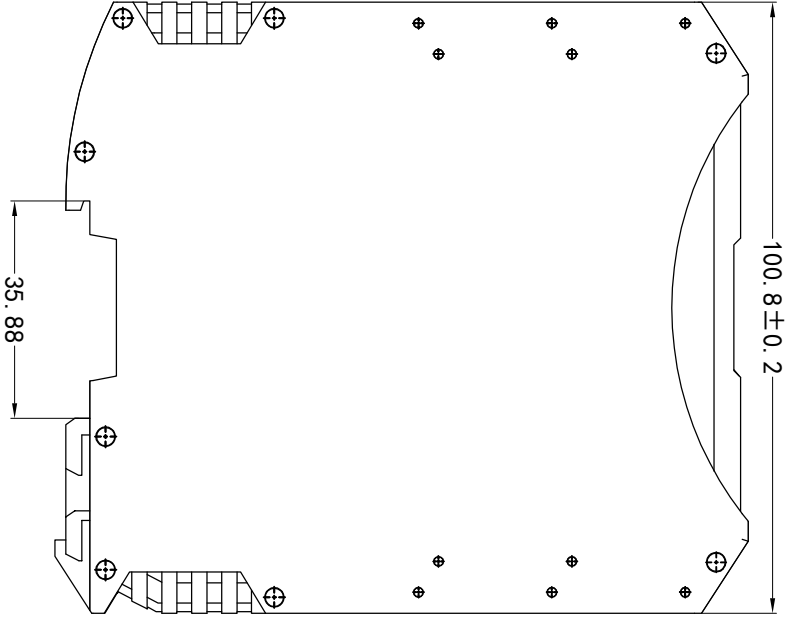
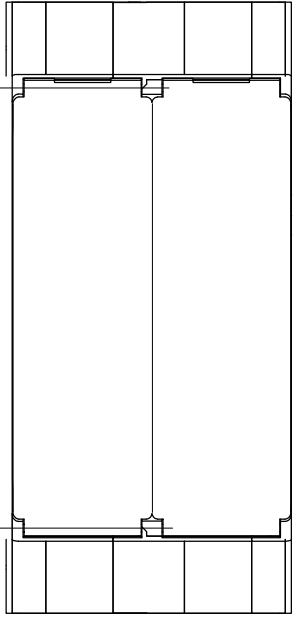


| | | | |
|------|---------|-----|----------|
| REV | CONTENT | CHK | DATE |
| V0.0 | CONTENT | MYZ | 22.10.12 |



| Total Pitch Tolerances | | Nominal dimension range | |
|------------------------|------|-------------------------|------|
| In mm | | In mm | |
| over | over | over | over |
| 0 | 30 | 0 | 30 |
| to | 53 | to | 53 |
| 30 | 70 | to | 70 |
| to | 90 | to | 90 |
| 53 | 115 | to | 115 |
| to | 150 | to | 150 |
| 70 | 250 | to | 250 |
| to | 350 | to | 350 |
| 90 | 500 | to | 500 |
| to | 0 | to | 0 |
| 115 | 30 | to | 30 |
| 150 | 53 | to | 53 |
| 250 | 70 | to | 70 |
| 350 | 90 | to | 90 |
| 500 | 115 | to | 115 |
| 0 | 150 | to | 150 |
| 30 | 200 | to | 200 |
| 53 | 250 | to | 250 |
| 70 | 320 | to | 320 |
| 90 | 0 | to | 0 |
| 115 | 10 | to | 10 |
| 150 | 0.3 | to | 0.3 |
| 200 | 0.3 | to | 0.3 |
| 250 | 0.3 | to | 0.3 |
| 320 | 0.2 | to | 0.2 |
| 0 | 0.2 | to | 0.2 |
| 30 | 0.3 | to | 0.3 |
| 53 | 0.2 | to | 0.2 |
| 70 | 0.3 | to | 0.3 |
| 90 | 0.5 | to | 0.5 |
| 115 | 0.5 | to | 0.5 |
| 150 | 0.5 | to | 0.5 |
| 200 | 0.5 | to | 0.5 |
| 250 | 0.5 | to | 0.5 |
| 320 | 0.5 | to | 0.5 |
| 0 | 0.5 | to | 0.5 |

| | | | | | |
|-------------------------|---------------|------|----------|--------------|-----------|
| 8 | LABEL | XX | 1 | PVC | / |
| 7 | TERMINAL-4P | XX | 4 | PA66 UL94V-0 | / |
| 6 | Cznd buckle | XX | 1 | STEEL | / |
| 5 | SPRING | XX | 1 | SPRING STEEL | / |
| 4 | COVER-TOP | XX | 1 | PA66 UL94V-0 | / |
| 3 | CLAMP | XX | 2 | PA66 UL94V-0 | / |
| 2 | HOUSING-RIGHT | XX | 1 | PA66 UL94V-0 | / |
| 1 | HOUSING-LEFT | XX | 1 | PA66 UL94V-0 | / |
| ITEM | NAME OF PART | Q'TY | MATERIAL | | |
| DWG. | CXL | DATE | 22.10.12 | SIZE | A4 |
| CHK | DATE | DATE | | SCALE | 1:1 |
| APP | DATE | DATE | | UNITS | mm |
| 宁波三安电子科技有限公司 | | | | NAME | SFMEX4500 |
| | | | | DWGNO. | XXXXX |

| Total Pitch Tolerances | | Nominal dimension range | |
|------------------------|------|-------------------------|------|
| In mm | | In mm | |
| over | over | over | over |
| 0 | 30 | 0 | 30 |
| to | 53 | to | 53 |
| 30 | 70 | to | 70 |
| to | 90 | to | 90 |
| 53 | 115 | to | 115 |
| to | 150 | to | 150 |
| 70 | 250 | to | 250 |
| to | 350 | to | 350 |
| 90 | 500 | to | 500 |
| to | 0 | to | 0 |
| 115 | 30 | to | 30 |
| 150 | 53 | to | 53 |
| 250 | 70 | to | 70 |
| 350 | 90 | to | 90 |
| 500 | 115 | to | 115 |
| 0 | 150 | to | 150 |
| 30 | 200 | to | 200 |
| 53 | 250 | to | 250 |
| 70 | 320 | to | 320 |
| 90 | 0 | to | 0 |
| 115 | 10 | to | 10 |
| 150 | 0.3 | to | 0.3 |
| 200 | 0.3 | to | 0.3 |
| 250 | 0.3 | to | 0.3 |
| 320 | 0.2 | to | 0.2 |
| 0 | 0.2 | to | 0.2 |
| 30 | 0.3 | to | 0.3 |
| 53 | 0.2 | to | 0.2 |
| 70 | 0.3 | to | 0.3 |
| 90 | 0.5 | to | 0.5 |
| 115 | 0.5 | to | 0.5 |
| 150 | 0.5 | to | 0.5 |
| 200 | 0.5 | to | 0.5 |
| 250 | 0.5 | to | 0.5 |
| 320 | 0.5 | to | 0.5 |
| 0 | 0.5 | to | 0.5 |